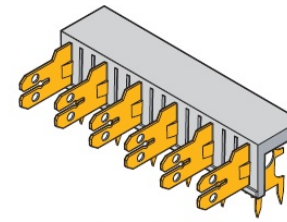
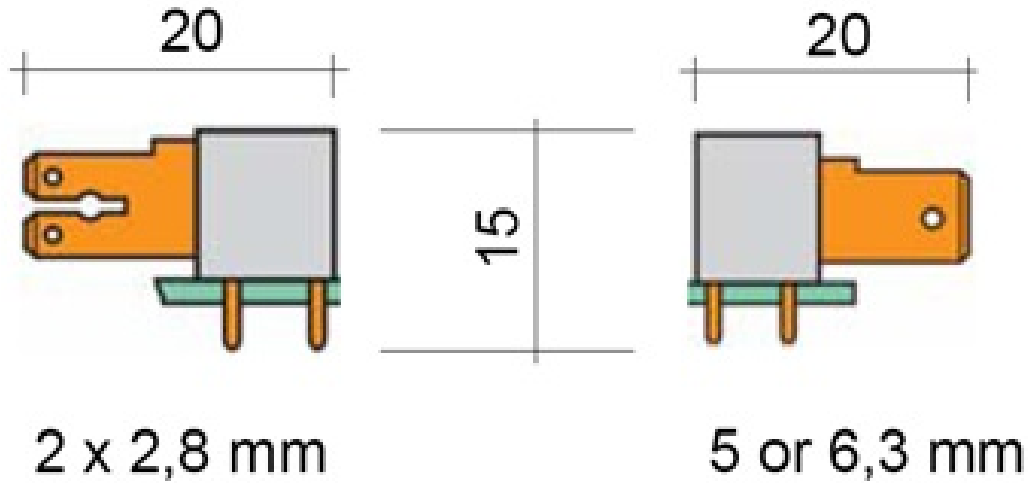


L 117 800 01000 / L 117 300 01000

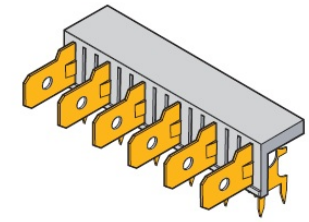
PCB Terminal blocks quick-connect - LMI

 Buy this product online

www.mfom.fr



L 117 800



L 117 300

Electrical characteristics

Spacing: 7.62 mm

Material

Terminal : Brass • Housing : PA 6 UL 94 VO

Other characteristics

Special mounting on request