

L 117 100 01000 / L 117 600 01000

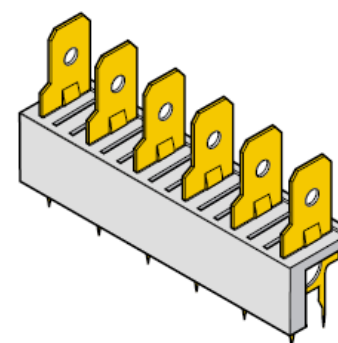
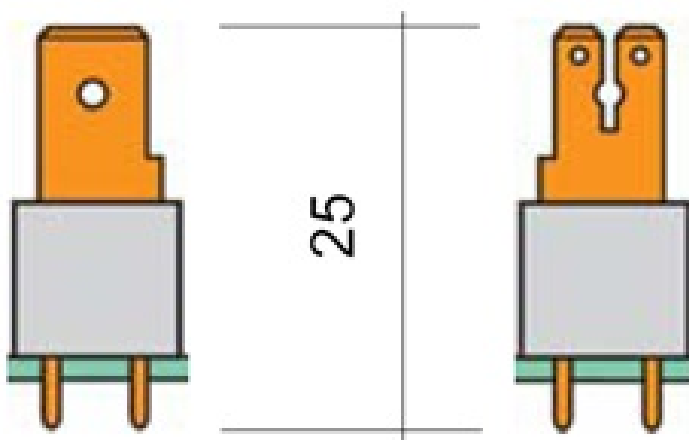
PCB Terminal blocks quick-connect - LMI

 Buy this product online

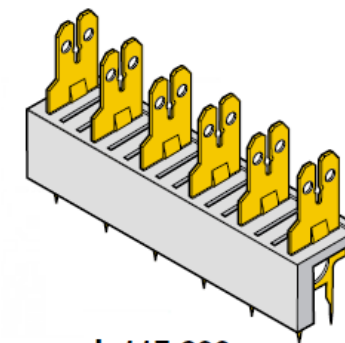
www.mfom.fr

5 or 6,3 mm

2 x 2,8 mm



L 117 100



L 117 600

Electrical characteristics

Spacing: 7.62 mm

Material

Terminal : Brass • Housing : PA 6 UL 94 VO

Other characteristics

Special mounting on request