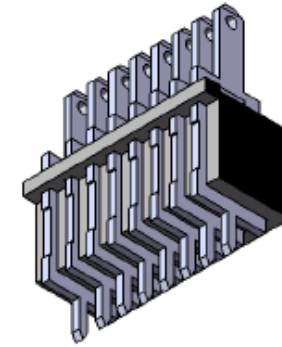
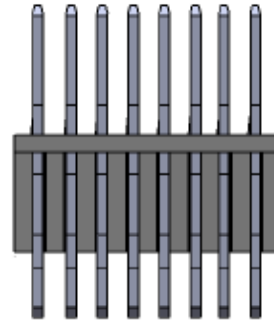
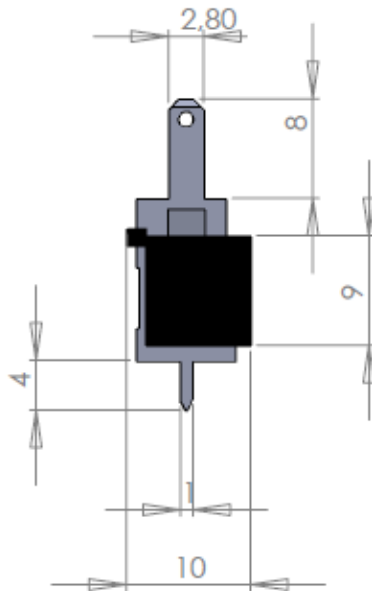


# L235108/945 1 PICOT

PCB Terminal blocks quick-connect - Trelec range (spacing of 5 / 5,08 / 7,5 / 7,62 / 10 / 10,16 mm)

[www.mfom.fr](http://www.mfom.fr)

 Buy this product online



## Electrical characteristics

L235108/945 1 PICOT • • Rated Voltage : 380 Volts • Rated current : 25 A • Spacing: 5 / 7,5 / 10 mm • Contacts: from 1 to 16 contacts

## Material

Terminal : Brass • Housing : PA 6 UL 94 VO

## Other characteristics

Special mounting on request