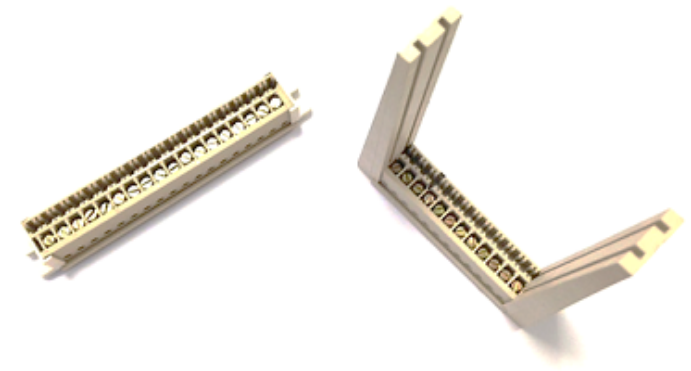


TRE 508

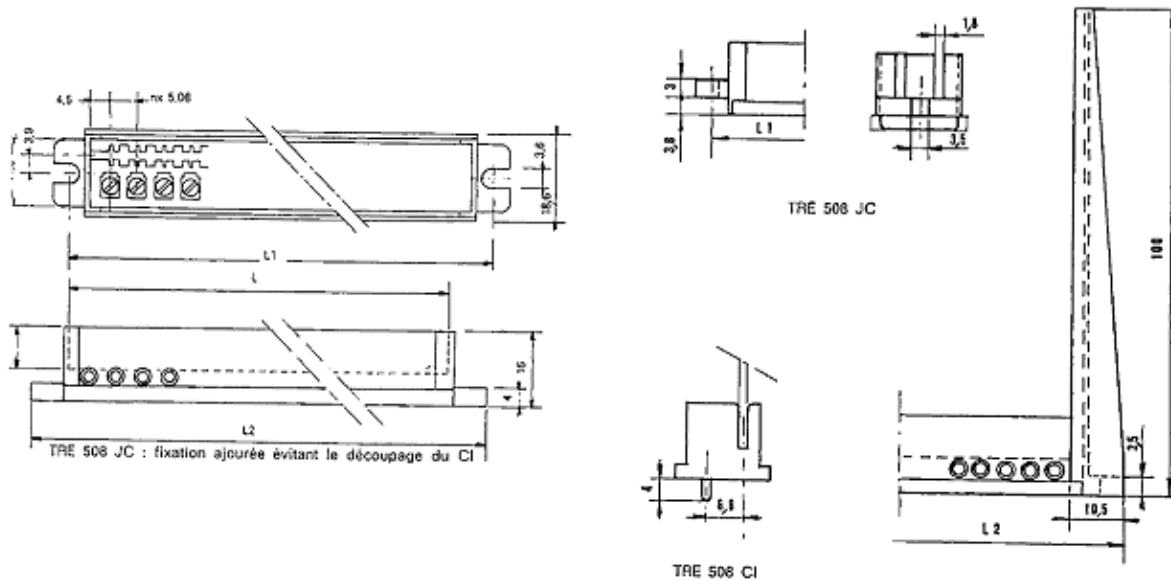
Edge connectors and Card Edge Connectors - Connectors

 Buy this product online

www.mfom.fr



Spacing : 5,08 mm • Number of poles : 5 to 24



Electrical characteristics

Rated current: 10 A • Rated voltage: > 2000 V • Maximum diameter of the wire: 2,5mm² • Thickness of the circuit to insert: 1,6 mm

Material

Insulation: PC • Screw: steel

Other characteristics

Possibility of adding openwork fasteners to avoid cutting the printed circuit board (add JC to the reference)