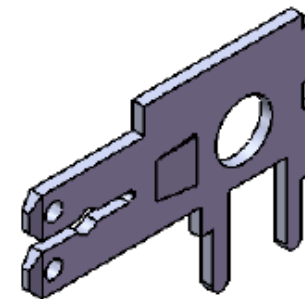
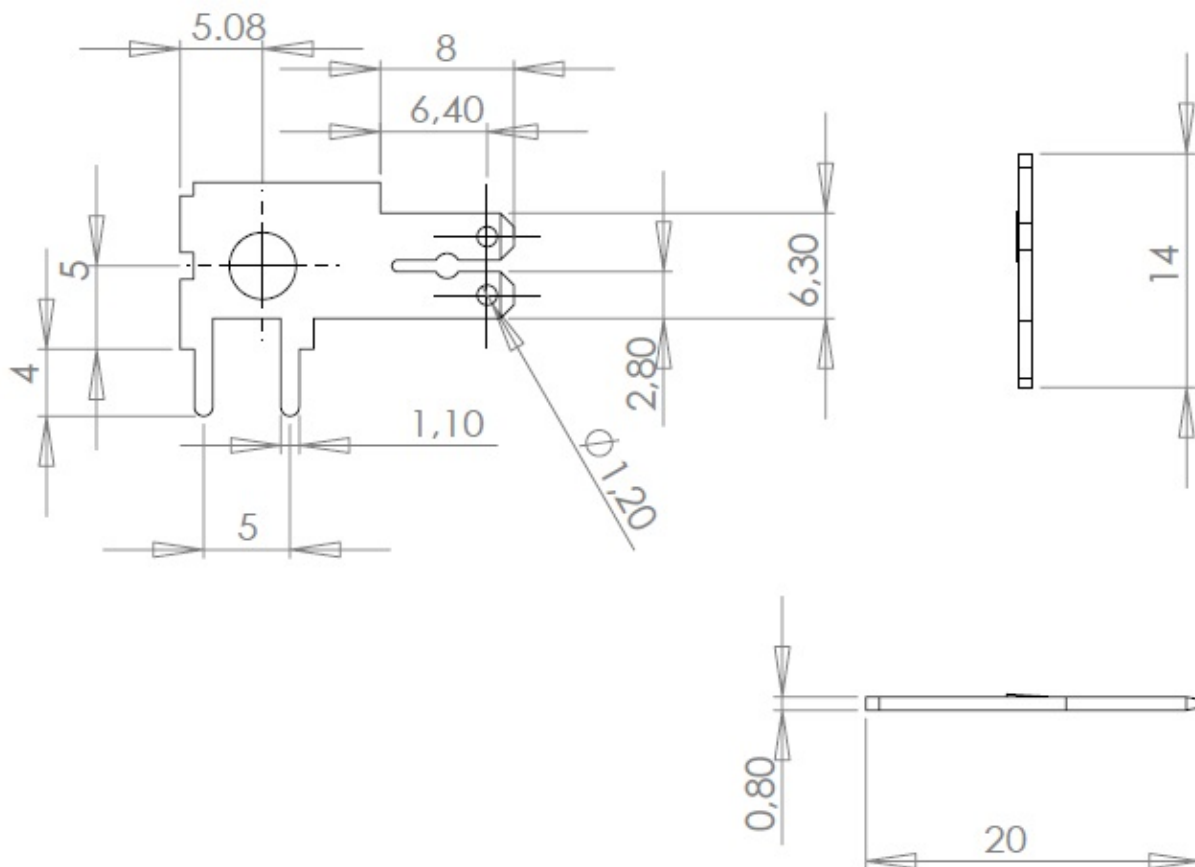


# Y331L - Y331A

MFOM Terminals - Terminals for printed circuits - 6,35 x 0,8

 Buy this product online

[www.mfom.fr](http://www.mfom.fr)



## Material

L = RoHS tinned brass • A = RoHS tinned steel