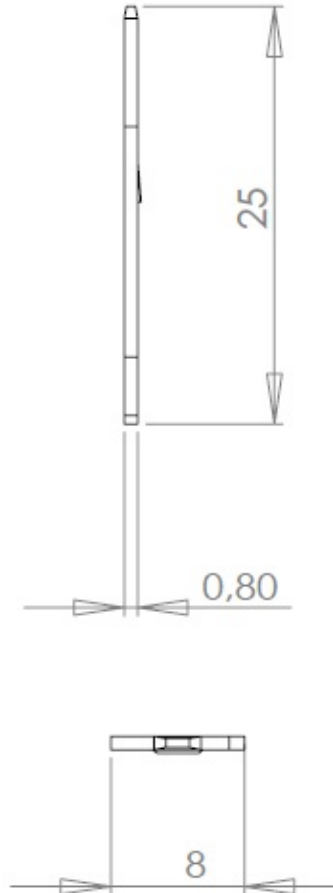
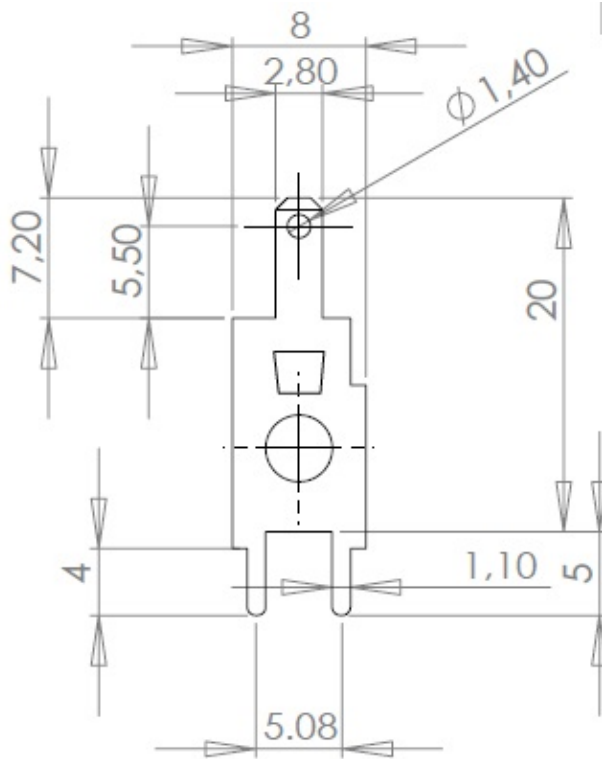


# Y302L - Y302A

## MFOM Terminals - Terminals for printed circuits - 2,8 x 0,8

 Buy this product online

[www.mfom.fr](http://www.mfom.fr)



### Material

L = RoHS tinned brass • A = RoHS tinned steel