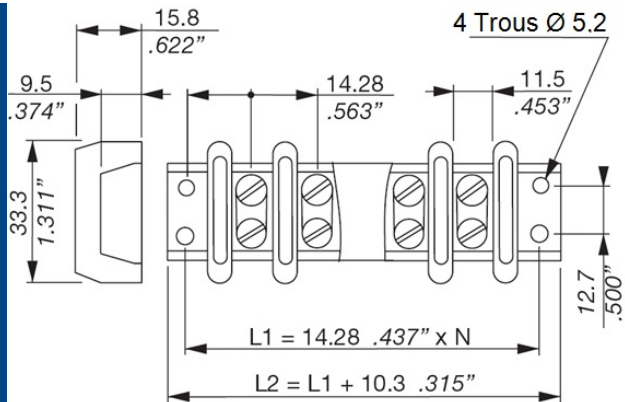


# US 143

## Barrier strips - Spacing of 14,28 mm

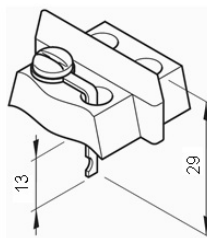
 Buy this product online

[www.mfom.fr](http://www.mfom.fr)

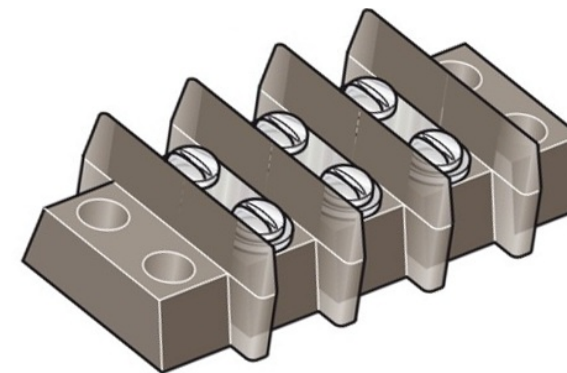


N= nombre de contacts + 1  
/ numbers of contacts + 1

### Options



US 144



Spacing : 14,28 mm • Number of poles : 2 to 18

### Electrical characteristics

Rated voltage : 600 Volts • Rated current : 30 A

### Material

Screw : Steel • Terminal : Brass • Insulation body : ThermoDur  
UL 94

### Other characteristics

Marking on request • Special mounting on request • Protection cover