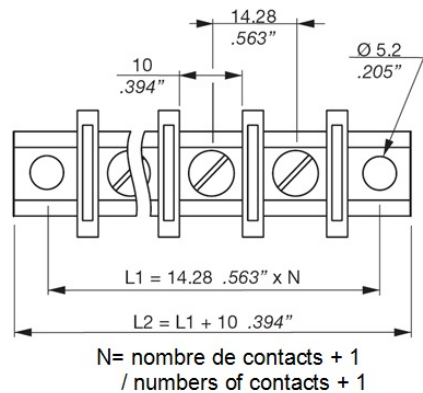


US 916

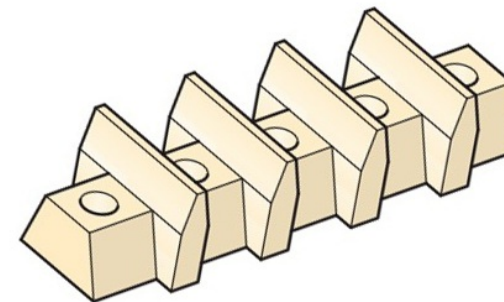
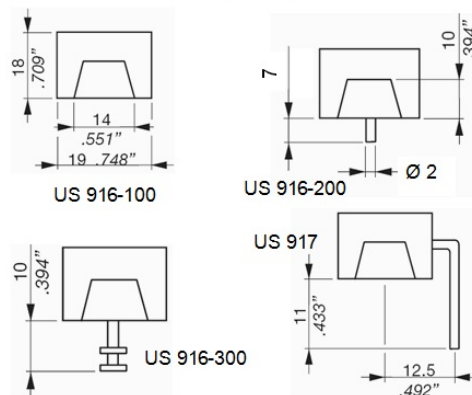
Barrier strips - Spacing of 14,28 mm

 Buy this product online

www.mfom.fr



Options



Spacing : 14,28 mm • Number of poles : 2 to 18

Electrical characteristics

Rated voltage : 600 Volts • Rated current : 30 A

Material

Screw : Steel • Terminal : Brass • Insulation body : PBT UL 94 V0 • Holding temperature = 130°C min

Other characteristics

Marking on request • Special mounting on request • Protection cover