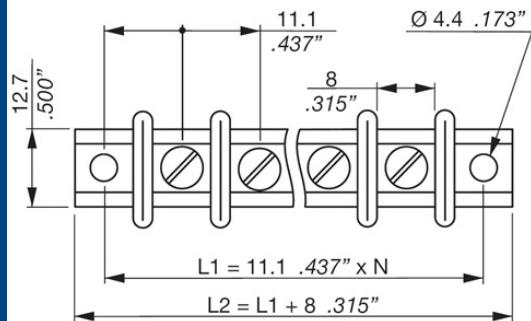


US 716

Barrier strips - Spacing of 11,10 mm

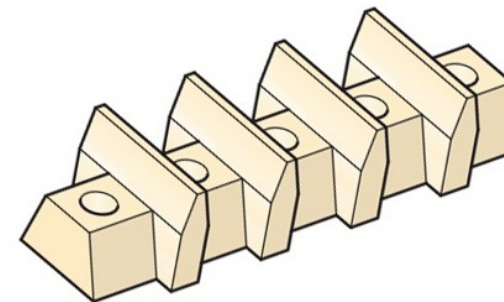
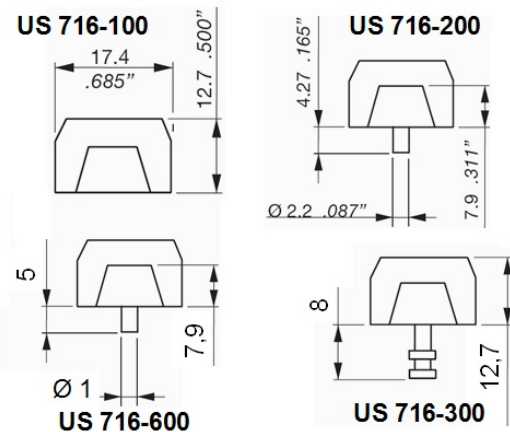
 Buy this product online

www.mfom.fr



N= nombre de contacts + 1
/ numbers of contacts + 1

Options



Spacing : 11.10 mm • Number of poles : 2 to 22

Electrical characteristics

Rated voltage : 500 Volts • Rated current : 20 A

Material

Screw : Steel • Terminal : Brass • Insulation body : PBT UL 94 V0

Other characteristics

Marking on request • Special mounting on request • Protection cover