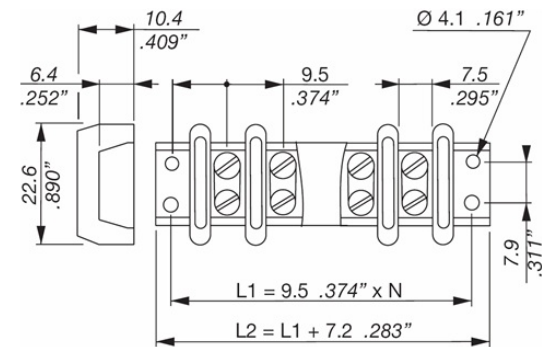


US 950

Barrier strips - Spacing of 9,52 mm

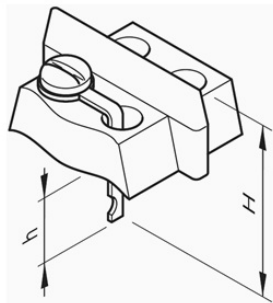
 Buy this product online

www.mfom.fr

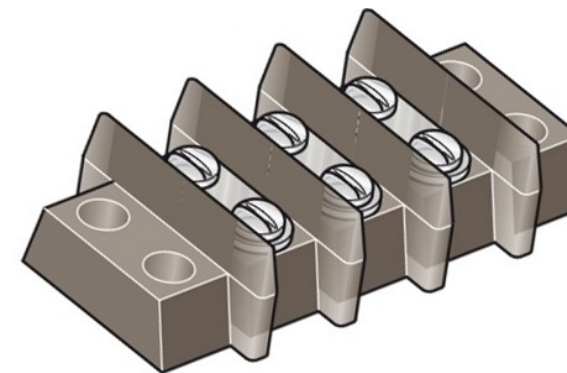


N= nombre de contacts + 1
/ numbers of contacts + 1

Options



US 951



Spacing : 9,52 mm • Number of poles : 2 to 22

Electrical characteristics

Rated voltage : 500 Volts • Rated current : 15 A

Material

Screw : Steel • Terminal : Brass • Insulation body : Thermodur UL V0

Other characteristics

Marking on request • Special mounting on request • Protection cover