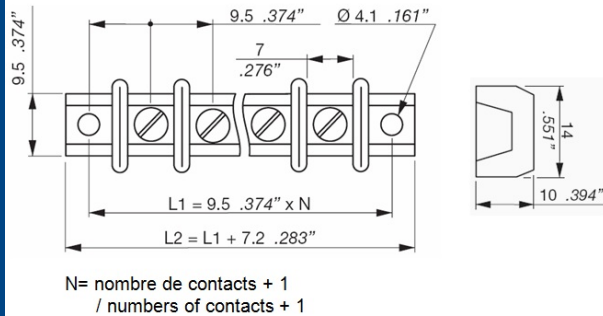


US 38

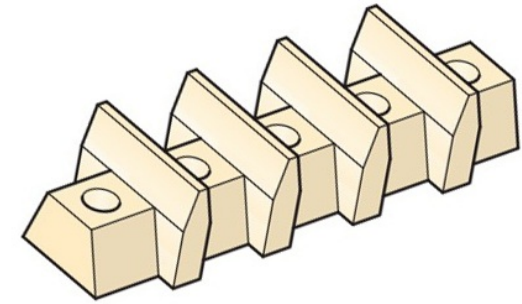
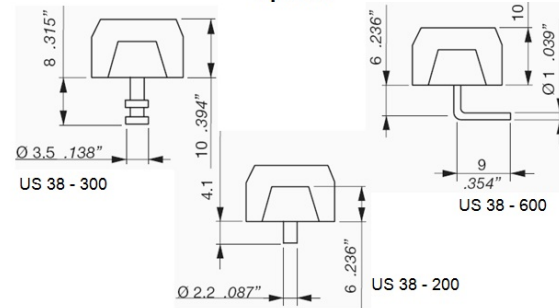
Barrier strips - Spacing of 9,52 mm

 Buy this product online

www.mfom.fr



Options



Spacing : 9,52 mm • Number of poles : 2 to 17

Electrical characteristics

Rated voltage : 400 Volts • Rated current : 15 A

Material

Screw : Steel • Terminal : Brass • Insulation body : PA 66 UL V0

Other characteristics

Marking on request • Special mounting on request • Protection cover