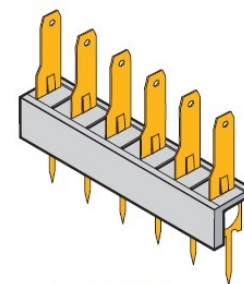
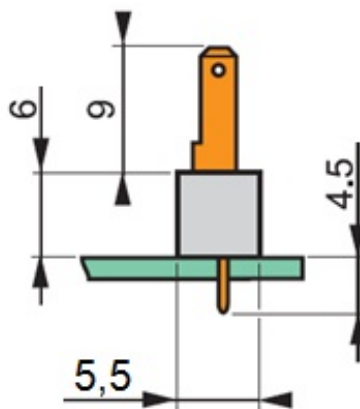
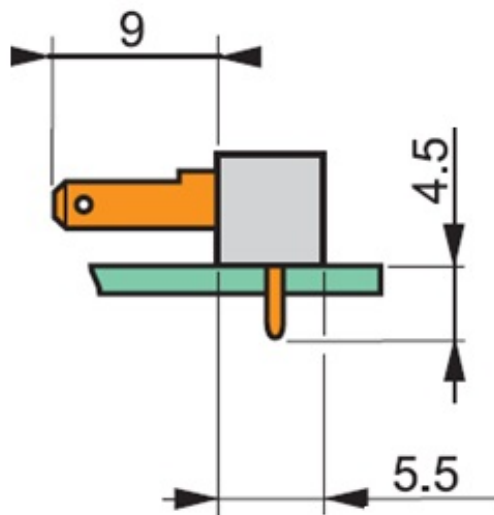


# L 115 100 01000 / L 115 300 01000 (references UL certified)

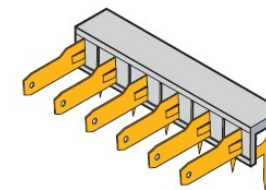
## PCB Terminal blocks quick-connect - LMI

www.mfom.fr

 Buy this product online



L 115 100



L 115 300



### Electrical characteristics

Spacing: 5.08 mm

### Material

Terminal : Brass • Housing : PA 6 UL 94 VO

### Other characteristics

Special mounting on request