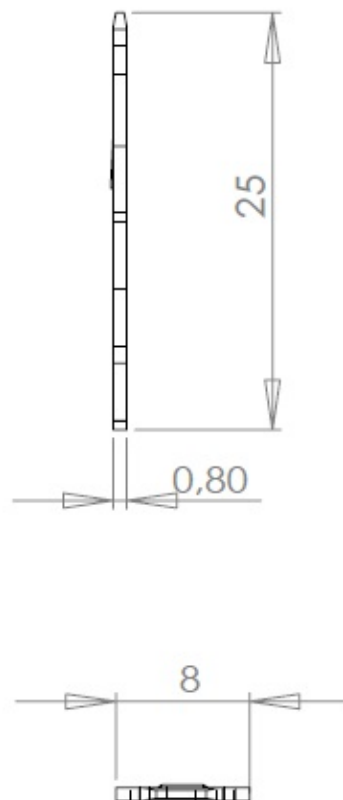
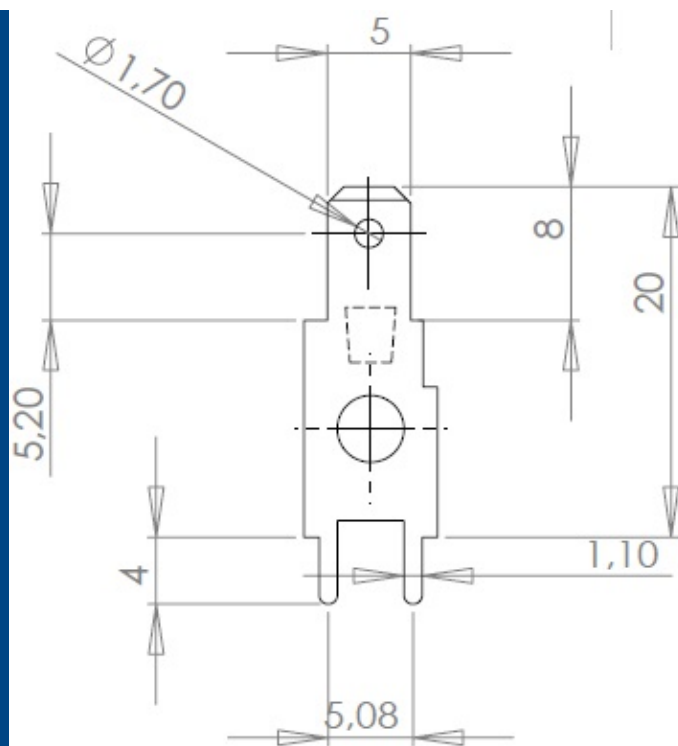


Y303L - Y303A

MFOM Terminals - Terminals for printed circuits - 5 x 0,8

 Buy this product online

www.mfom.fr



Material

L = RoHS tinned brass • A = RoHS tinned steel