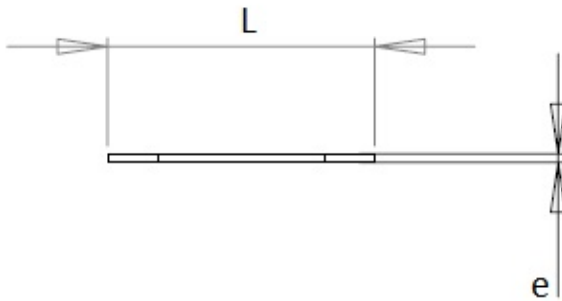
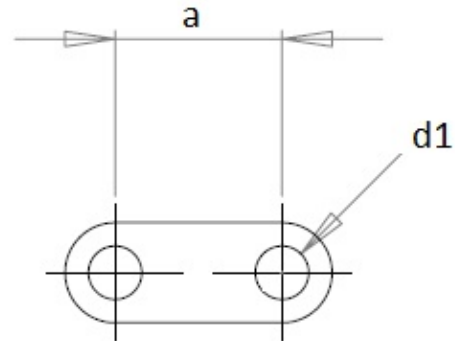


Solder terminal lugs

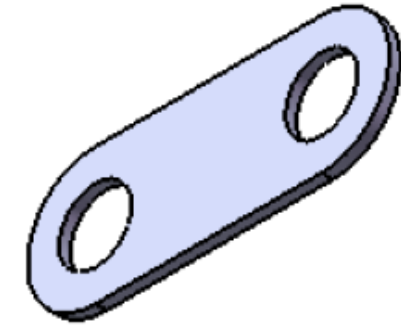
MFOM Terminals - Solder terminals

 Buy this product online

www.mfom.fr



	166	167
L	16,1	30
d1	3,2	5,5
e	0,5	0,5
a	10	20



Electrical characteristics

Terminal lug 166, 167

Material

RoHS tinned brass

Other characteristics

Other materials and other treatments on request