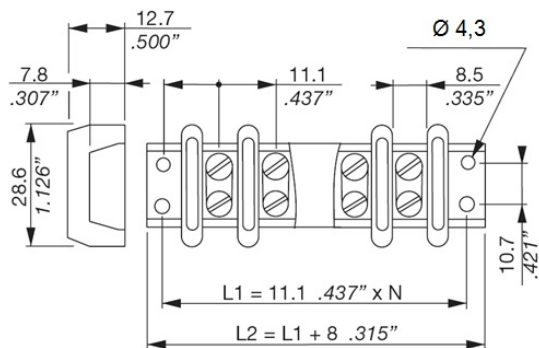


# US 110

## Barrier strips - Spacing of 11,10 mm

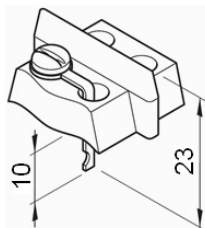
 Buy this product online

[www.mfom.fr](http://www.mfom.fr)

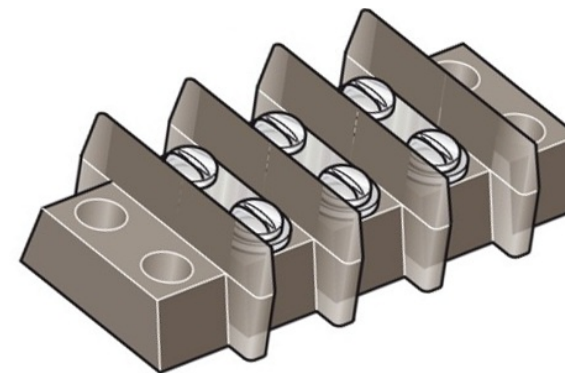


N= nombre de contacts + 1  
/ numbers of contacts + 1

### Options



US 111



Spacing : 11,10 mm • Number of poles : 2 to 22

### Electrical characteristics

Rated voltage : 500 Volts • Rated current : 20 A

### Material

Screw : Steel • Terminal : Brass • Insulation body : ThermoDur  
UL 94 V0

### Other characteristics

Marking on request • Special mounting on request • Protection cover